

# VISUAL LEVEL INDICATORS



## LV...

The level indicators series is available for both static and mobile applications; the construction materials used make it possible to guarantee service with wide temperature variations and compatibility with all hydraulic fluids. Series LV... level indicators are available with fixing centre distance from 76 to 1000 mm.

## LVK

This level indicator series is available with electric alarm and visual and electrical temperature switches, level indicators are available with fixing centre distance from 76 to 254 mm.

## LC...

LC... series sight plugs allow visibility of the fluid contained in the reservoirs, showing the level and also any changes in transparency and emulsion.

These indicators are available in three configurations, with transparent plastic body and with black body, and an aluminium body version. Fixing to reservoirs with unthreaded holes or reduced thickness can be achieved using series LCC/T equipped with expansion kit.

### Temperature

- LVA: from  $-25^{\circ}\text{C}$  to  $+80^{\circ}\text{C}$
- LVU: from  $-25^{\circ}\text{C}$  to  $+70^{\circ}\text{C}$
- LVU: from  $-25^{\circ}\text{C}$  to  $+100^{\circ}\text{C}$  (only with pyrex lens)
- LVK/LC...: from  $-20^{\circ}\text{C}$  to  $+80^{\circ}\text{C}$

### Compatibility

#### LVA/LVK/LVU

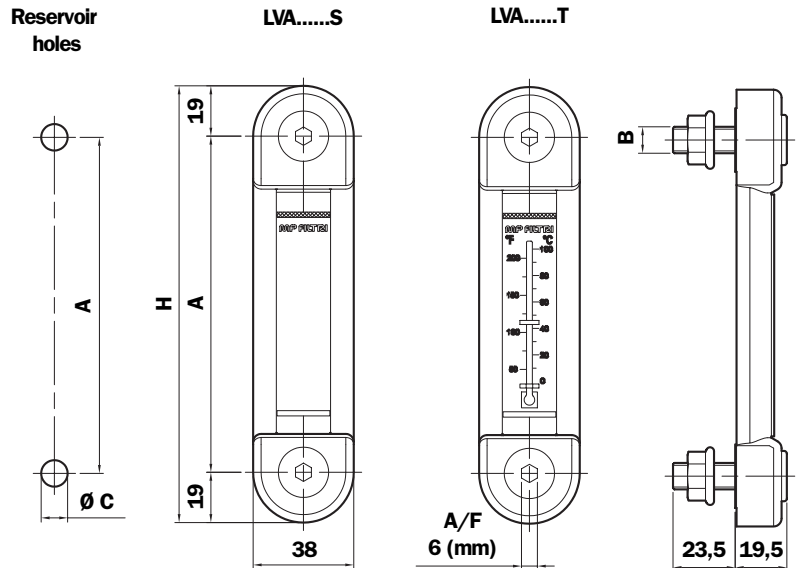
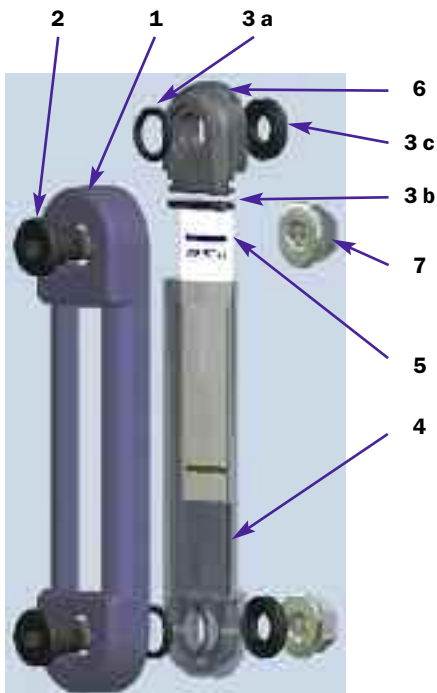
- NBR seals and Cork Gasket, compatible with:  
Mineral oils to ISO 2943 - aqueous emulsions  
Synthetic fluids, glycol water.
- FPM seals, compatible with:  
Synthetic fluids type HS-HFDR-HFDS-HFDU.

#### LC...

- Mineral oils to ISO 2943 - aqueous emulsions  
Synthetic fluids, glycol water.

# Series LVA

## Dimensions



### LVA (Materials)

- 1 - Cover: Polyamide
- 2 - Screws: Galvanised Steel
- 3 - Seals: NBR  
FPM
- 4 - Lens: Polyamide
- 5 - Nameplate: Painted Aluminium
- 6 - Terminal cap: Nylon
- 7 - Nuts: Galvanised Steel

### Weight

- LVA10: 0,13 Kg
- LVA20: 0,18 Kg
- LVA30: 0,23 Kg

### Quantity per pack Number of Parts

<b>LVA</b>	10
------------	----

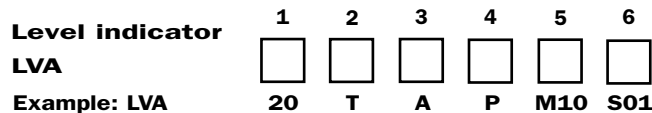
Size	A	H
<b>LVA10</b>	76	114
<b>LVA20</b>	127	165
<b>LVA30</b>	254	292

Screw tightening torque: 15Nm

Type	B	C
<b>LVA.....M10</b>	M10	10,5
<b>LVA.....M12</b>	M12	12,5
<b>LVA.....U38</b>	3/8" UNC	10
<b>LVA.....U12</b>	1/2" UNC	13,5

## Ordering information

### LVA20T.....S01



#### 1 - Size

- 10
- 20
- 30

#### 2 - Accessories

- S Without thermometer
- T With thermometer

#### 3 - Seal

- A NBR
- V FPM

#### 4 - Cover

- P Cover Polyamide

#### 5 - Connection

- M10 Screws M10
- M12 Screws M12
- U38 Screws 3/8" UNC
- U12 Screws 1/2" UNC

#### 6 - Options

- S01 With nuts - Tag MP Filtri
- S02 Without nuts - Tag MP Filtri

# Series LVK

## Description

Visual/electric level indicator with temperature controls for both static and mobile applications.

Completely transparent, it provides a view of the fluid over the entire length, both from the front and on both sides.

The quality and thickness, 4 millimetres, of the construction material provides the utmost dependability and mechanical strength without any need for additional protection.

## LVK (Materials)

**1** - Body: Polyamide

**2** - Screws: Nickel Plated Brass (Standard)  
AISI 316 (Option)

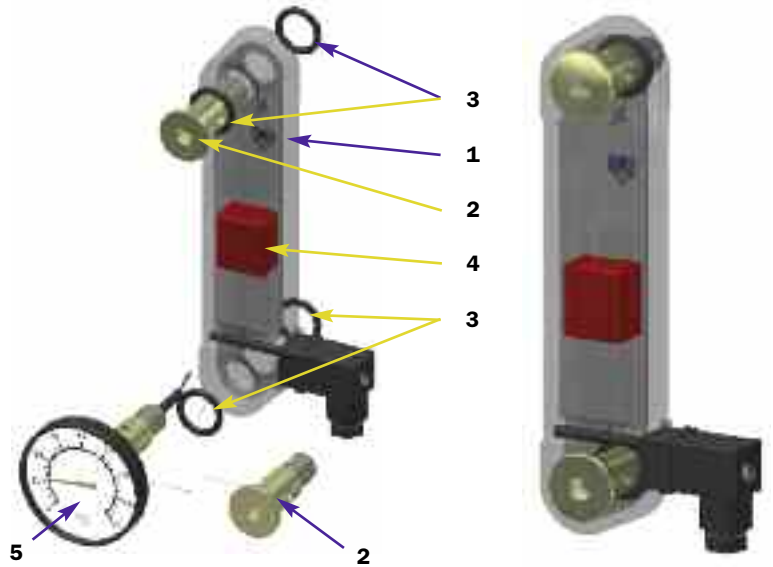
**3** - Seals: NBR (Standard)  
FPM (Option)

**4** - Float: Polyamide

**5** - Sensor thermometer: Screw + thermometer

**Temperatures:** from -20 °C to +80 °C

**Screw tightening torque:** 10Nm

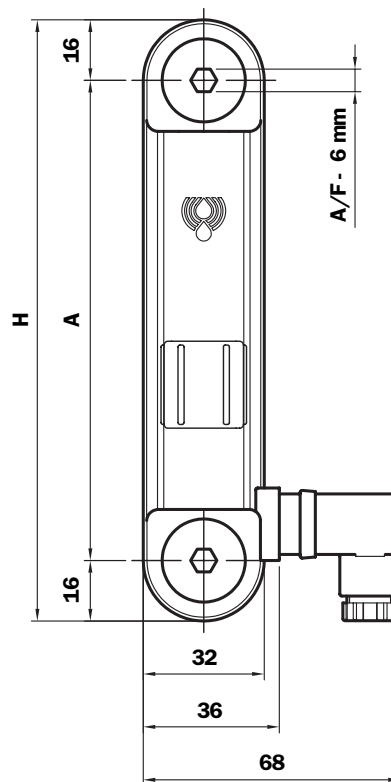
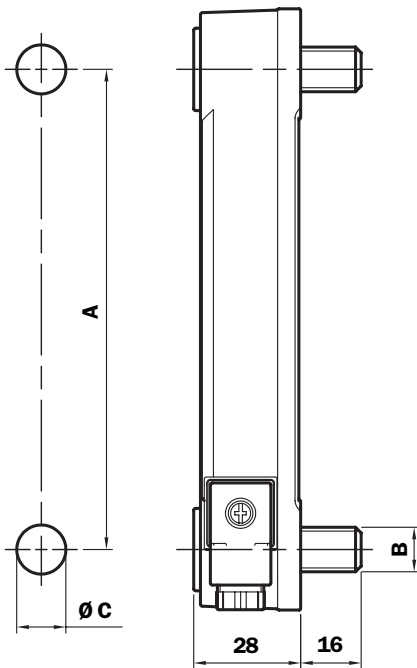


## Compatibility

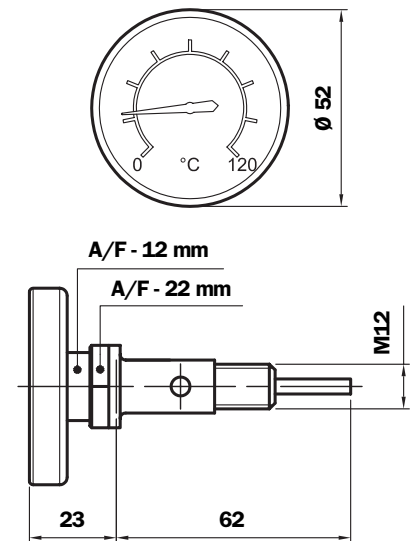
- NBR seals, compatible with:  
Mineral oils to ISO 2943 - aqueous emulsions  
Synthetic fluids, glycol water.
- FPM seals, compatible with:  
Synthetic fluids type HS-HFDR-HFDS-HFDU.

# Dimensions

## Reservoir holes



## Sensor thermometer



## Weight

LVK10: 0,14 Kg

LVK20: 0,17 Kg

LVK30: 0,25 Kg

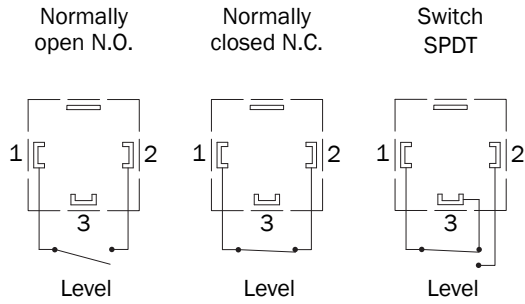
Size	A	H	Type	B	C
<b>LVK10</b>	76	108	<b>LVK.....M10</b>	M10	10,5
<b>LVK20</b>	127	159	<b>LVK.....M12</b>	M12	12,5
<b>LVK30</b>	254	286			

## Weight (Kg)

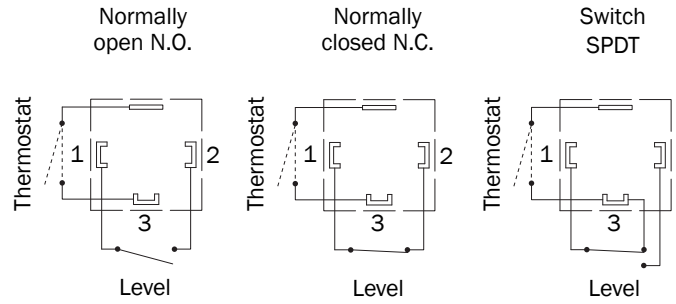
TV12	0,100	Kit Sensor thermometer + Screw M12

## Combination of available electrical contacts

### Electrical contact with no liquid

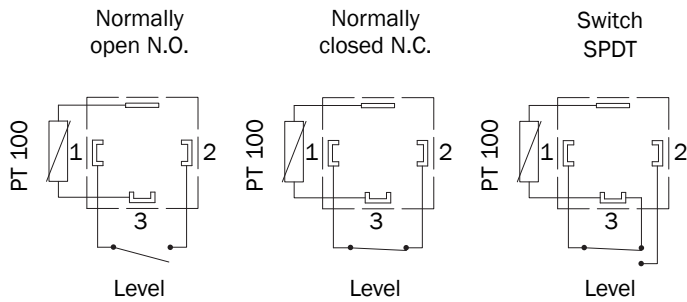


### Electrical contact with no liquid + thermostat

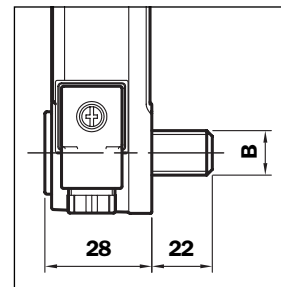


Available thermostated contact N.C. - N.O. in both setups

### Electrical contact with no liquid + PT 100



### Dimension screw + electrical contact + thermostated or PT 100



### Thermostat electrical specifications

Voltage: 250 V Switchable  
 Frequency: 50 Hz  
 Load values: 4.0 A.  $\cos \varphi$  0.6 (IMOT)  
 6,3 A.  $\cos \varphi$  1 (IN)  
 Max load: 10 A.  $\cos \varphi$  1  
 Switching temperature: 50°C - 60°C - 70°C  
 Tolerances:  $\pm 5^\circ\text{C}$

### Electrical specifications

Contact with no liquid

	N.O. N.C.	Switch
D.C. Switchable Power	40 W	20 W
D.C. current intensity - A.C.	40 V.A.	-
Switchable voltage.	2 A	1 A
Voltage switchable	230 V	150 V

Protection degree: IP65

## Ordering information

**Level indicator**  
**LVK**  
 Example: LVK 20 A M12 1 S S P01

#### 1 - Size

10  
20  
30

#### 2 - Seal

A NBR

#### 3 - Connection

M10 Screws M10  
 M12 Screws M12 (Standard)

#### 4 - Electrical contacts with no liquid

1 N.O.  
 2 N.C.  
 3 Switch SPDT

#### 5 - Style

S Standard  
 T Thermostat  
 P PT 100

Only for connection M12

#### 6 - Thermostat

S Standard without  
 1 50° N.O.  
 2 60° N.O.  
 3 70° N.O.  
 5 50° N.C.  
 6 60° N.C.  
 7 70° N.C.

Only for style T

#### 8 - Options

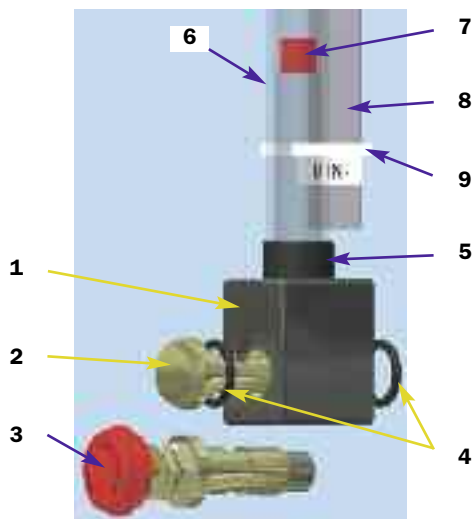
P01 MP Filtri standard

### Accessories/Options\*

<b>TV12</b>	Kit w/ Sensor thermometer Screw M12	<b>M12 X</b>	Kit w/ Screws M12 stainless steel AISI 316
<b>M10 X</b>	Kit w/ Screws M10 stainless steel AISI 316	<b>02050432</b>	Kit w/ FPM seals

\* All the accessories are supplied separately from code LVK

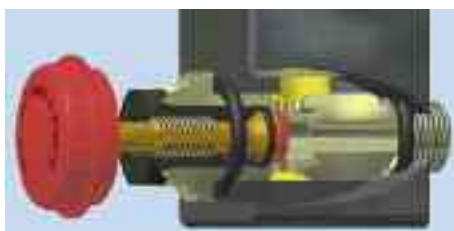
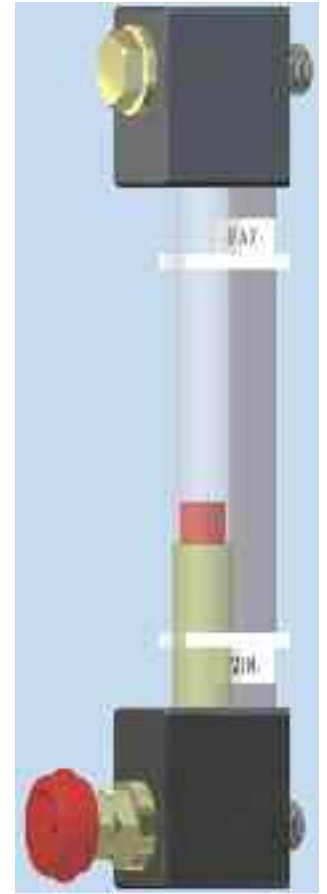
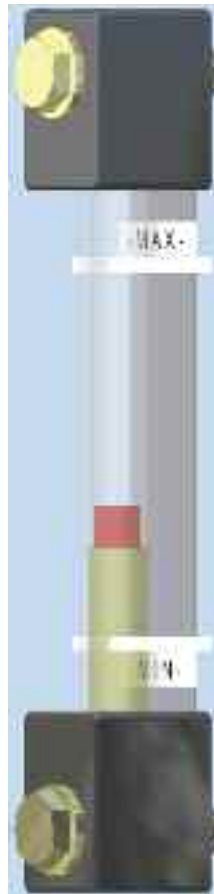
# Series LVU



## LVU (Materials)

- 1 - Head: Nylon
- 2 - Connection G 3/8": Nickel Plated Brass
- 3 - G 3/8" valve: Steel
- 4 - Seal: NBR
- 5 - Pipe Seal: NBR
- 6 - Pipe: Acrylic  
Pyrex
- 7 - Float: Nylon
- 8 - Protection: Aluminium
- 9 - Clamps MIN - MAX: Nylon

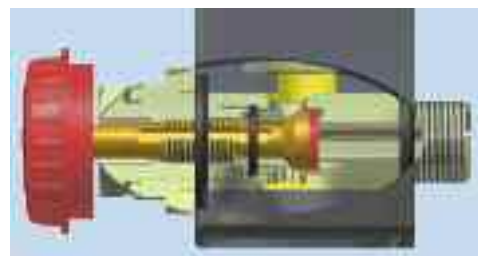
Weight	Vesion U	Vesion S
LVU 0500	0,780 kg	0,580 kg
LVU 1000	1,150 kg	0,790 kg
LVU 1500	1,550 kg	1,100 kg
LVU 2000	1,950 kg	1,400 kg



**Open the valve completely.**

**Allows the oil to flow from the reservoir to the level tube.**

**ATTENTION** - The intermediate valve opening or closing position allows the oil to flow from the reservoir to the exterior.

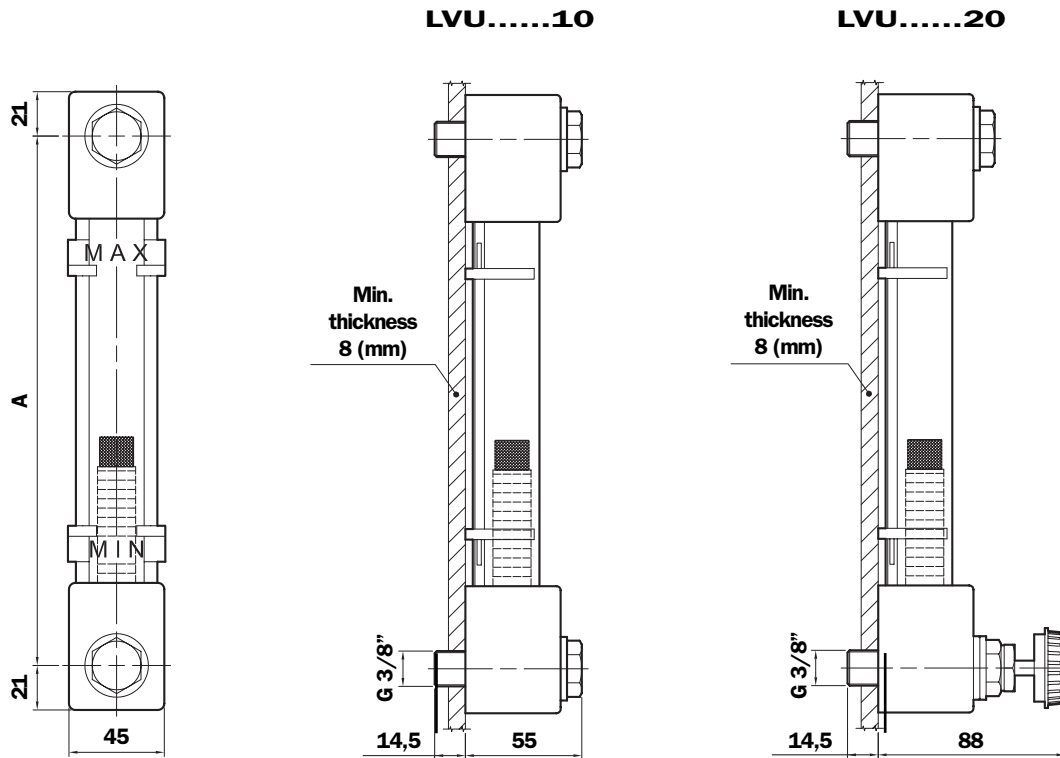


**Close the valve fully.**

**Stops the oil flow from the reservoir to the level tube.**

**Allows the oil to be discharged from the level tube to an external container.**

# Dimensions



## Spare parts LVU

Item.	Description	Q.ty	LVU
1	Seals kit	1	02050130
4	O-Ring	4	OR 4181 Ø 20,22 x 3,53
2	Fixing element kit series 10	1	02049014
2	G 3/8" connection	2	
3	Fixing element kit series 20	1	02049015
2	G 3/8" connection	1	
3	G 3/8" bibcock	1	

Size	A (mm)
0500	500
1000	1000
1500	1500
2000	2000

# Ordering information

**Level indicator**  
**LVU**  
**Example: LVU**      1      2      3      4      5  




  
**0500**    **U**    **A**    **10**    **P01**

### 1 - Size

<b>0500</b>	Dimension "A" in mm
<b>1000</b>	Dimension "A" in mm
<b>1500</b>	Dimension "A" in mm
<b>2000</b>	Max. dimension "A" in mm
<b>xxxx</b>	Dimension "A" in mm (on request)

### 2 - Variants

<b>S</b>	Standard
<b>U</b>	"U" protection
<b>P</b>	"U" protection + Pyrex lens (max size 1500)

### 3 - Seal

<b>A</b>	NBR
----------	-----

### 4 - Connection

<b>10</b>	2 G 3/8" connections
<b>20</b>	1 G 3/8" connection + 1 valve

### 5 - Options

<b>P01</b>	MP Filtri standard
------------	--------------------