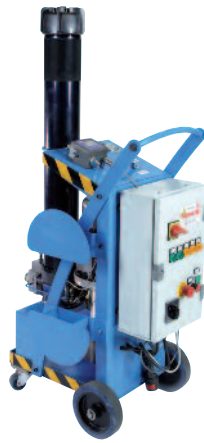


UFM 090 + 180 + 918

Mobile Filtration Units with In Line Contamination Monitor

**A complete range
of off line
filling/filtration
units**



UMF 90 – 180 mobile filtration units suitable for filling and refilling of filtered hydraulic fluids and lubrication tanks.

The filter unit connected to off-line to the tank, can be used as a support to the filtration plant on start-up for fast flushing action, either as additional filtration systems with a high incidence of contamination.

UFM 090 recommended maximum tank volume of 900/1300 L.

UFM 180 recommended maximum tank volume of 1800/2700 L.

UFM 918 two-speed electric motor with programmable flow of 90 or 180 l/min.

Available in three configurations

- A configuration with start / stop differential pressure indicator - visual
- B configuration with start / stop automatic motor cut-out from differential pressure indicator - electrical/visual
- C configuration with start / stop phase inverter automatic motor cut-out from differential pressure indicator - electrical/visual In Line Contamination Monitor ICM

Possible applications:

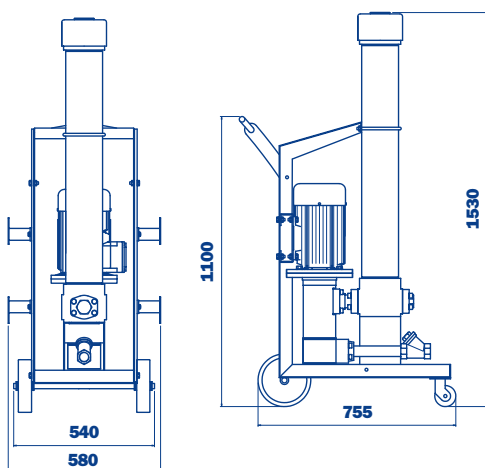
- Low flow rate for filling and refilling of reservoirs with volume less than 1000 liters
- Low-flow filtration for off-line tanks with a volume less than 1000 liters
- Low-flow filtration of oils with high viscosity at low temperatures
- Low flow during start-up for filtration of oils with

high viscosity at low temperatures, high flow rate with subsequent increases in temperature increase and viscosity reduction

- High flow rate for filling and refilling tanks with volume greater than 2000 liters
- High flow filter off-line reservoirs with volume greater than 2000 liters

- **Compact size**
- **High flow**
- **Continue Operation**
- **Pressure 10 bar**
- **Easy to use**
- **Easy maintenance**
- **Reliable**
- **Absolute filtration**
- **In Line Contamination Monitor**

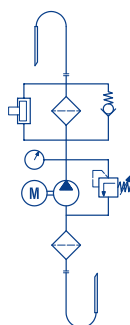
Dimensions



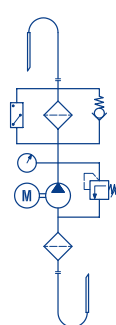
Symbols

(see ordering information)

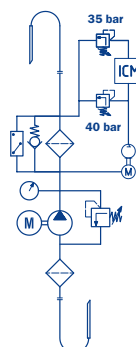
"0"
Symbol



"1"
Symbol



"3"
Symbol



**and
more..**



UFM 090 + 180 + 918

Mobile Filtration Units with Inline Contamination Monitor

Technical data

	UFM 090	UFM 180	UFM 918
Pump	Screw pump	Screw pump	Screw pump
Electric Motor	3,7 kW 400/230 V three phase 4-pole	5 kW 400/230 V three phase 2-pole	3.7/5 kW 400/230 V three phase 2/4-pole
Flow (l/min)	90 l/min	180 l/min	90/180 l/min
Max. Operation Pressure	10 bar	10 bar	10 bar
Viscosity range	Min. operation 10 cSt Max. operation 600 cSt Max. only for cold start 2000 cSt	Min. operation 10 cSt Max. operation 600 cSt Max. only for cold start 2000 cSt	Min. operation 10 cSt Max. operation 600 cSt Max. only for cold start 2000 cSt
Suction Filter	Type Y filtration 400 µm	Type Y filtration 400 µm	Type Y filtration 400 µm
Filtration Rating	1/3/6/10/16/25 µm β>1000 flow through the element Out/In	1/3/6/10/16/25 µm β>1000 flow through the element Out/In	1/3/6/10/16/25 µm β>1000 flow through the element Out/In
By-Pass valve	Rating 3,5 bar (no by-pass valve in request)	Rating 3,5 bar (no by-pass valve in request)	Rating 3,5 bar (no by-pass valve in request)
Fluid Temperature	From -10 to +80 °C	From -10 to +80 °C	From -10 to +80 °C
Ambient Temperature	From -20 to +45 °C	From -20 to +45 °C	From -20 to +45 °C
Protection Class	IP 55	IP 55	IP 55
Seal	NBR	NBR	NBR
Fluid Compatibility	Mineral Oil - Other on request	Mineral Oil - Other on request	Mineral Oil - Other on request
Suction hose - with lance	1.1/4" length 3000 mm - DN35 length 700 mm	1.1/2" length 3000 mm - DN42 length 700 mm	1.1/2" length 3000 mm - DN42 length 700 mm
Pressure hose - with lance	1.1/4" length 3000 mm - DN35 length 700 mm	1.1/4" length 3000 mm - DN35 length 700 mm	1.1/4" length 3000 mm - DN35 length 700 mm
Weight	105 kg.	109 kg.	120 kg.
Equipment	<ul style="list-style-type: none"> Differential Clogging indicator - Visual Differential Clogging indicator Electrical/Visual In line Contamination Monitor ICM + Differential clogging indicator - Electrical/Visual 	<ul style="list-style-type: none"> Differential Clogging indicator - Visual Differential Clogging indicator Electrical/Visual In line Contamination Monitor ICM + Differential clogging indicator - Electrical/Visual 	<ul style="list-style-type: none"> Differential Clogging indicator - Visual Differential Clogging indicator Electrical/Visual In line Contamination Monitor ICM + Differential clogging indicator - Electrical/Visual

Filter element

Inorganic microfibre element

CU 400 6 A01 A N P01	1 µm absolute	CU 400 6 A10 A N P01	10 µm absolute	Wire mesh element	
CU 400 6 A03 A N P01	3 µm absolute	CU 400 6 A16 A N P01	16 µm absolute	CU 400 6 M25 A N P01	25 µm absolute
CU 400 6 A06 A N P01	6 µm absolute	CU 400 6 A25 A N P01	25 µm absolute	CU 400 6 M60 A N P01	60 µm absolute

Spare Parts

Ordering information

UFM 050

Example: UFM

1	2	3	4	5	6	7
180	T	A	3	E	6	P01

1 - Flow

090	090 l/min
180	180 l/min
918	090/180 l/min

2 - Electric motor

T	Three phase 380 V
---	-------------------

3 - Seals

A	NBR
---	-----

4 - Automatic motor cut-out from differential pressure indicator

0	Without
1	With
3	Automatic motor cut-out from differential pressure indicator Phase inverter ICM In-Line Contamination Monitor

5 - Filter elements

S	Without element
D	1 µm absolute
E	3 µm absolute
F	6 µm absolute
G	10 µm absolute
H	16 µm absolute
L	25 µm absolute
M	25 µm wire mesh
N	60 µm wire mesh

6 - Length filter body

6	Standard
---	----------

7 - Option

P01	Standard MP Filtri
-----	--------------------

A complete range of off line filling/filtration units



Doc No. ????????